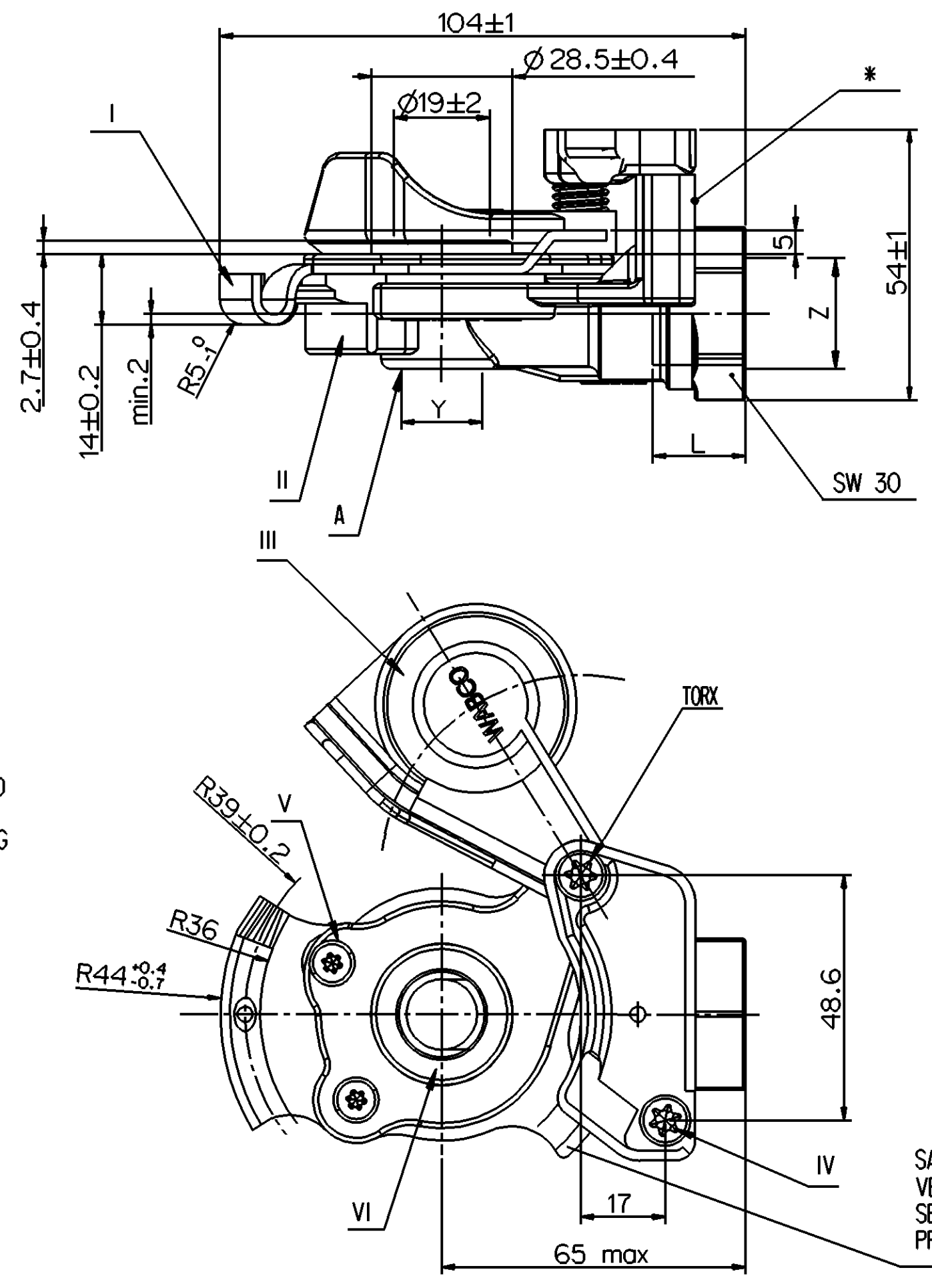


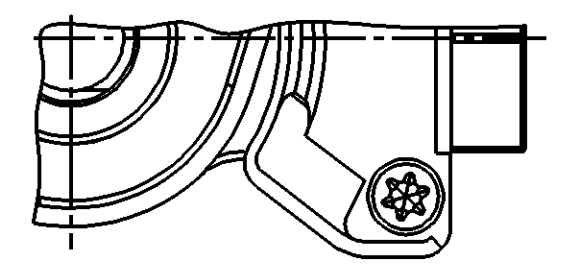
MATERIAL AND SURFACE PROTECTION		
I	JED-475-2	JED-257
II	JED-029M1	JED-259
III	PP	-
IV	8.8	JED-257
V	8.8	JED-257
VI	JED-7080M	-

USAGE VERWENDUNG UTILISATION APPLICAZIONE	CONTROL LINE BREMSLEITUNG CONDUITE DE COMMANDE TUBAZIONE DEL FRENO		
SYMBOL SYMBOL SYMBOL SYMBOL	ISO 1219		
DESIGNATION BEZEICHNUNG DESIGNATION DESIGNAZIONE	SYMBOL SYMBOL SYMBOL SYMBOL	UNIT EINHEIT UNITE UNITA	VALUE WERT VALEUR VALORE
WORKING TEMPERATURE THERMISCHER ARBEITSBEREICH TEMPERATURE DE FONCTIONNEMENT TEMPERATURA DI UTILIZZAZIONE	T	°C	-40°+80°
MAX INLET PRESSURE MAX BETRIEDSDRUCK PRESSION D'ALIMENTATION MAXI PRESSIONE MASSIMA D'ALIMENTAZIONE	P	BAR	8.5
WORKING POSITION EINBAULAGE POSITION DE FONCTIONNEMENT POSIZIONE DE FUNZIONAMENTO	UNIMPORTANT BELIEBIG INDIFFERENTE INDIFFERENTE		
WORKING MEDIUM ARBEITSMEDIUM FLUIDE D'UTILISATION FLUIDO DI ESERCIZIO	COMPRESSED AIR DRUCKLUFT AIR COMPRIE ARIA COMPRESSA		
NORM NORM NORME NORMA	ISO 1728		
AMBIENT MEDIUM UMGEBUNGSMEDIUM FLUIDE AMBIANT FLUIDO AMBIENTE	AIR (CONTAINING WATER DUST AND OIL) LUFT (WASSER-, STAUB- UND OELHALTIG) AIR (HUMIDE, HUILEUX, POUSSIEREUX) ARIA (ACQUA, POLVERE ED OLIO INQUINATO)		



SAFEGUARD AGAINST CROSS-COUPLING
VERTAUSCHSICHERUNG
SECURITEEN CAS DE DEFAUT DE CONNEXION
PROTEZIONE CONTRO CONNESSIONE INCORRETTA

DETAIL C
ONLY FOR VARIANTS WITHOUT THE SAFEGUARD
NUR FÜR VARIANTEN OHNE VERTAUSCHSICHERUNG



463 705 105 0

452 200 000 0		M22X1.5	-	-	min 15,5	A	-	-
452 200 004 0		M22X1.5	-	-	min 15,5	A	-	BLACK, SCHWARZ, NOIR, NERO
452 200 012 0		M22X1.5	-	-	min 15,5	A	+	YELLOW, GELB, JAUNE, GIALLO
952 200 022 0		M16X1.5	-	-	min 13	A	+	YELLOW, GELB, JAUNE, GIALLO
952 200 023 0		M16X1.5	JED-464	-	min 13	A	-	BLACK, SCHWARZ, NOIR, NERO
952 200 033 0		M16X1.5	JED-464	-	min 15,5	A	+	YELLOW, GELB, JAUNE, GIALLO
952 200 034 0		M16X1.5	JED-464	M16X1.5	min 13	A	+	YELLOW, GELB, JAUNE, GIALLO
952 200 035 0		M16X1.5	JED-464	M16X1.5	min 13	A	+	YELLOW, GELB, JAUNE, GIALLO
952 200 040 0		M16X1.5	JED-464	M16X1.5	min 13	B	+	YELLOW, GELB, JAUNE, GIALLO
IDENTIFICATION BENENNUNG DENOMINATION DENOMINAZIONE	CUSTOMER NO. KUNDEN-NR. NO. DU CLIENT NO. CLIENTE	Z	REMARKS	Y	L	DESIGN AUSFUEHRUNG ESECUZIONE	SAFEGUARD VERTAUSCHSICHERUNG SECURITEEN PROTEZION	COVER VERSCHLUSSDECKEL COUVERCLE COPERCIO

* WABCO DEVICE NO., DATE OF MANUFACTURE
WABCO-GERATE NR., HERSTELLDATUM
NUMERO DE L'APPAREIL WABCO, DATE DE FABRICATION
NUMERO DELL'APPARECCHIO WABCO, DATA DI FABBRICAZIONE

111851	G	06-12-12
066021	F	06-04-06
065347	E	06-03-21
087122	4x D	03-07-22
DCN-No.	Rev.	Date
State of Revision		

General Specification: JED-334-0		Copyright WABCO®		WABCO	
Further Technical Data:		Date	Signature	HOSE COUPLING KUPPLUNGSKOPF	
Doc. Code: Sheet: To		2006-02-10	BERGHOFF	TETE D'ACCOUPLMENT TESTA D'ACCOPIAMENTO	
General Tolerances JED-261		2006-02-10	HRS	BUCZYLKO	
Range of Nominal Dimensions (± mm)		Expert		Material No.	
Class 1)	≤ 50	> 50 ≤ 180	> 180 ≤ 400	> 400	WABCO Id. No.: 9528970060
Fine	0,5	1,0	1,5	2,0	Doc.Code
Medium	X 1,0	2,0	3,0	4,0	Language
Coarse	2,0	3,5	5,0	6,5	en/de
Tapped Holes acc. JED-152		Mass		Scale	
1) Tolerance Class Applied Crossmarked		0,22		1:1	
		Size		TR1	
		A 2		540	
		Function Code		CAD System	
		Pro/E		Prod.Type	
		0 0 X		Replacement for	
		100mm			