



THE UNITED KINGDOM VEHICLE APPROVAL AUTHORITY

COMMUNICATION CONCERNING THE APPROVAL GRANTED <sup>(1)</sup>/~~APPROVAL EXTENDED <sup>(1)</sup>~~/  
~~APPROVAL REFUSED <sup>(1)</sup>~~/~~APPROVAL WITHDRAWN <sup>(1)</sup>~~/~~PRODUCTION DEFINITELY  
DISCONTINUED <sup>(1)</sup>~~ OF A LATERAL PROTECTION DEVICE (LPD) PURSUANT TO PART II OF  
REGULATION NO. 73.01



Approval No: 73R-011025

Extension No: Not Applicable

1. Trade name or mark of LPD: Takler srl
2. Type of LPD: Side protection system with aluminium bars and 2 carbon steel sliding or fixed brackets.
3. Name and address of manufacturer:  
TAKLER srl  
Via Appia Antica Km 13  
100- Z. I. Jesco  
75100 Matera  
Italy
4. If applicable, name and address of manufacturer's representative:  
Lorenzo Lorusso  
Via Machiavelli, 77  
70022 Altamura (BA)  
Italy
5. Characteristics of the LPD (dimensions and its links): See Manufacturers Documentation
6. Test conducted on a rigid bench/~~on a vehicle~~/~~on a representative part of the vehicle~~: <sup>(1)</sup>

MSN256464

An executive agency of the Department for Transport  
July 2012 Revision 1

Página 83 de 201



7. Position on the LPD of the points of application of the test forces: See test report MSN256464
8. Vehicle category on which the LPD may be installed: N3, N2, O3, O4
9. Device submitted for approval on: 27 June 2012
10. Technical service responsible for conducting approval tests: Vehicle Certification Agency
11. Date of report issued by that service: 29 October 2012
12. Number of report issued by that service: MSN256464
13. Approval GRANTED/REFUSED/EXTENDED/WITHDRAWN: <sup>(1)</sup>
14. Position of approval mark on the LPD: See Manufacturers Documentation
15. Place: BRISTOL
16. Date: 30 OCTOBER 2012
17. Signature:  A. W. STENNING  
Head of Technical and Quality Support Group
18. The following documents, bearing the approval number shown above, are available upon request.

Any remarks: None

(1) Strike out what does not apply



# Company name

TAKLER srl

## LATERAL PROTECTION DEVICE (SEPARATE TECHNICAL UNIT)

ECE REGULATION 73.01 Part 2

### TYPE:

- Side protection system with aluminium bars and 2 carbon steel sliding or fixed brackets.

## 0. GENERAL

### 0.1. Make (trade name of manufacturer):

Takler srl

### 0.2. Type and general commercial description(s):

- Side protection system with aluminium bars and 2 carbon steel sliding or fixed brackets.

### 0.5. Name and address of manufacturer:

TAKLER srl  
Via Appia Antica Km 13,100- Z. I. Jesce  
75100 Matera

### 0.7. In the case of components and separate technical units, location and method of affixing the EC approval mark:

- Side protection system with aluminium bars and 2 carbon steel sliding or fixed brackets:  
the EC approval mark will be placed
  - on one face of the aluminium bar through a mechanical pressing process;
  - on one face of the spring of carbon steel sliding through a hot pressing;
  - on one face of the carbon steel fixed brackets through a mechanical pressing.

### 0.8. Name and address of assembly plant:

TAKLER srl  
Via Appia Antica Km 13,100- Z. I. Jesce  
75100 Matera

### 0.9. Name and address of manufacturer's representative:

Lorenzo Lorusso  
Via Machiavelli, 77  
70022 Altamura (BA)

## 1. GENERAL CONSTRUCTION CHARACTERISTICS OF THE VEHICLE / DEVICE

### 1.5. Materials used for side members:

- Aluminium;
- Carbon steel;

## 9. BODYWORK

### 9.2 Materials used and methods of construction:

#### Lateral Protection Device:

Type of bodywork : BA – BB – BD - DA – DB – DC (1)

Lateral protection (ECE REGULATION 73.01Part 2)

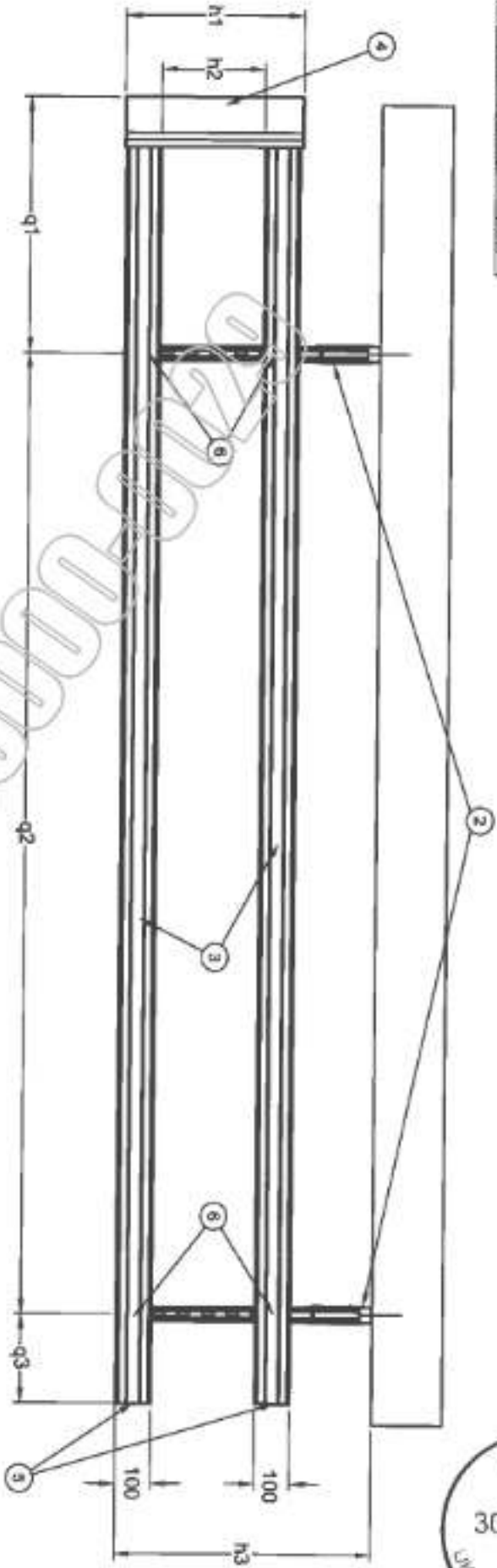
Description and/ or drawing of such device( s) (including mountings and fittings) :

- Side members (horizontal rails):
  - Aluminium bar for side protection
- Linking components:
  - Stainless steel fixing insert with screw for side protecting bar
  - Aluminium head for side protecting bars
  - Cap for headers
- Vehicle fitting mode:
  - Bolts
- Fitting mode to the components ensuring protection:
  - Stainless steel fixing insert with screw for side protecting bars

## LIST OF APPENDICES

1. Side protection system with aluminium bars and 2 carbon steel sliding or fixed brackets:
  - Configuration 1B/1B\_1: Side protection system with aluminium bars "takler" and 2 carbon steel sliding brackets;
  - Configuration 1C/1C\_1: Side protection system with aluminium bars "light" and 2 carbon steel sliding brackets;
  - Configuration 2B: Side protection system with aluminium bars "takler" and 2 carbon steel fixed brackets Ø42 with supports for mudguards bracket Ø42.
  - Configuration 2C: Side protection system with aluminium bars "light" and 2 carbon steel fixed brackets Ø42 with supports for mudguards bracket Ø42.
  - Configuration 3B: Side protection system with aluminium bars "takler" and 2 carbon steel fixed brackets Ø54 with supports for mudguard bracket Ø54.
  - Configuration 3C: Side protection system with aluminium bars "light" and 2 carbon steel fixed brackets Ø54 with supports for mudguard bracket Ø54.
  
2. Components
  
3. Point of location mark.

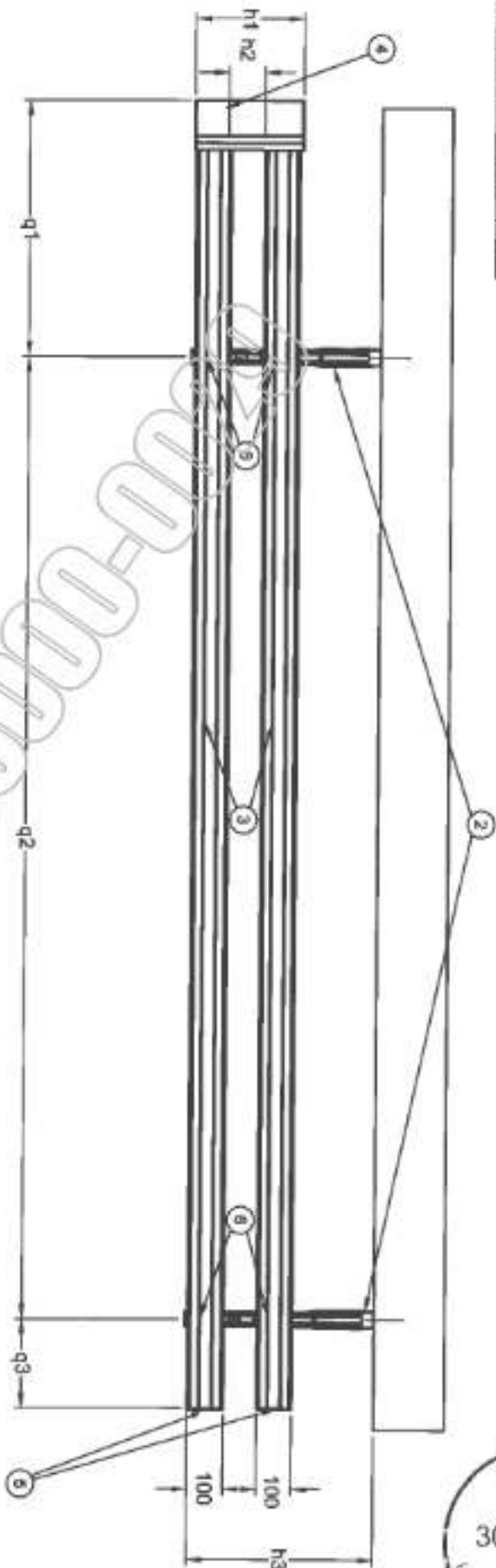
DIMENSIONS					
q1	q2	q3	h1	h2	h3
600	2700	150	500	284	710



POS	COO	DESCRIPTION	Qty
1	TK3017	BRAKETS FOR SIDE PROTECTING BARS ZINC PLATED (CHROMIZING PLATED PINS) NEW 719	2
2	TK3027	BRAKETS FOR SIDE PROTECTING BARS HOT GALVANISED (CHROMIZING PLTD PINS) NEW 710	2
3	TK3047	BRAKETS FOR SIDE PROT. BARS BLACK VANISHED POND (CHROM ZINC PLAT PIN) 710	2
4	TK1340	ANODIZED ALUMINIUM BAR FOR SIDE PROTECTION	2
5	TK1380	ALUMINIUM HEADER FOR LATERAL PROTECTION BARS 500	1
6	TK1380	BLACK PLASTIC CAP FOR ALUMINIUM SIDE PROTECTING BAR	2
7	TK1375	GREY PLASTIC CAP FOR ALUMINIUM SIDE PROTECTING BAR	2
8	TK1380	FIXING KIT WITH NUTS AND BOLTS FOR ALUMINIUM SIDE PROTECTING BARS	4

REV.	3	DESCRIPTION	600310001 REV. 02/07/2012 REV.	DATE	2007/09/12	APPROVED	G. CALIA
Disegnato:	A. Pirodda	Caratterizzato:	G. Calia				
Scala:	1:1	Nome File:					
Articolo:	Dispositivo	Materiali:	ALL-S235JR				
Articolo:		Dispositivo		LATERAL PROTECTION DEVICE		Cod. / Articolo:	
		PROPRIETAR' FIBEROVATA				CONF_1B	

DIMENSIONS					
q1	q2	q3	h1	h2	h3
600	2700	250	300	94	510



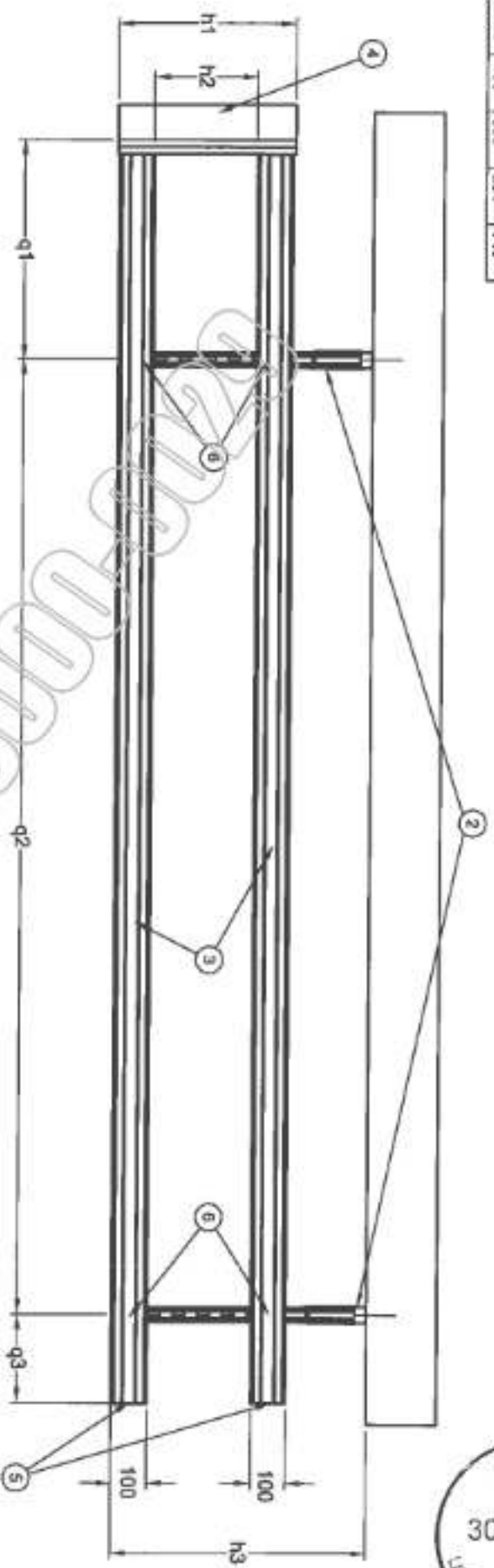
POS	COD	DESCRIPTION	QTY
1	TK3012	BRACKETS FOR SIDE PROTECTING BARS ZINC PLATED (CHROMIUM ZINC PLATED PINS) NEW '872	2
2	TK3022	BRACKETS FOR SIDE PROTECTING BARS, HOT GALVANISED (CHROMIUM PLTD PINS) NEW '872	2
3	TK3042	BRACKETS FOR SIDE PROT. BARS, BLACK VARNISHED POND (CHROM ZINC PLAT PIN)'872	2
4	TK1320	ANODIZED ALUMINIUM BAR FOR SIDE PROTECTION	1
5	TK1380	ALUMINIUM HEADER FOR LATERAL PROTECTION BARS '300	2
6	TK1390	BLACK PLASTIC CAP FOR ALUMINIUM SIDE PROTECTING BAR	4
7	TK1375	GREY PLASTIC CAP FOR ALUMINIUM SIDE PROTECTING BAR	2
8	TK1390	FIXING KIT WITH NUTS AND BOLTS FOR ALUMINIUM SIDE PROTECTING BARS	4

REV:	0	DESCRIPTION:	REVISION:	DATE:	BY:
DESIGNER:	A. Proulx	CHECKED:	G. G. G.	DATE:	
SCALE:	1:1	PROJECT:	ALL-SZS-UR	TOTAL QUANTITY:	180 2796-9
MATERIAL:		TAKER		CODE:	
LATERAL PROTECTION DEVICE		PRCSHMTA' RISERVATA		CODE: CONF. '18.1	





DIMENSIONS					
q1	q2	q3	h1	h2	h3
600	2700	150	500	294	710

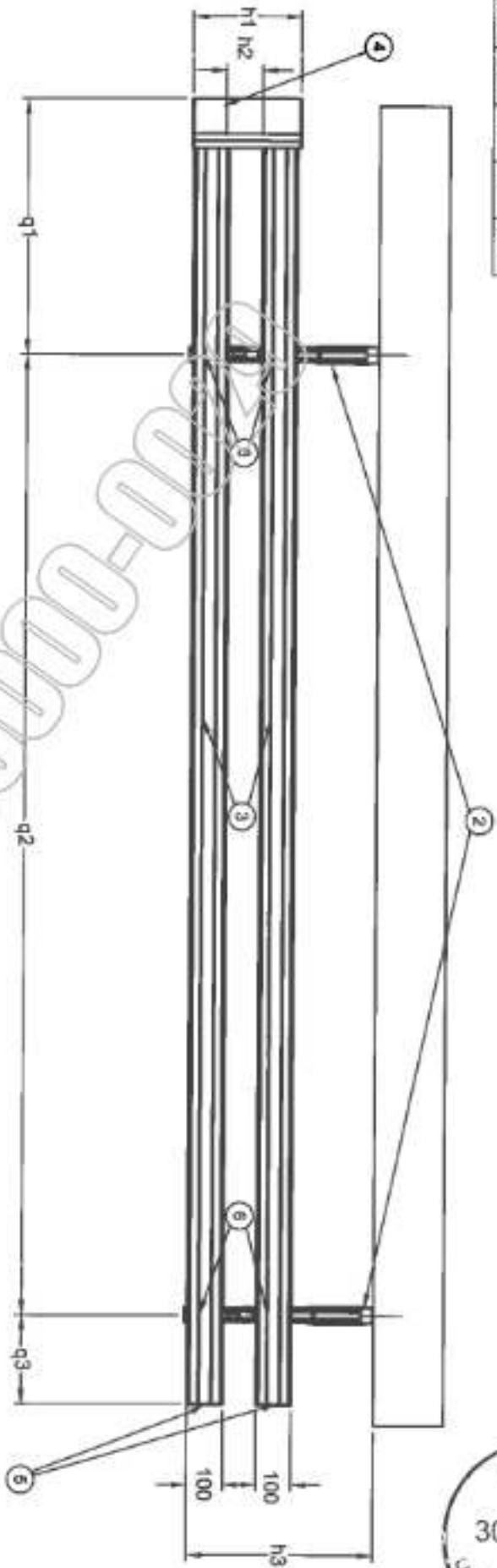


POS	COO.	DESCRIPTION	QT
1	TK3017	BRACKET FOR SIDE PROTECTING BARS ZINC PLATED (CHROMIUM PLATED PINS) NEW 710	2
2	TK3027	BRACKETS FOR SIDE PROTECTING BARS, HOT GALVANISED (CHROMIUM PLTD PINS) NEW 710	2
3	TK3047	BRACKETS FOR SIDE PROT. BARS, BLACK VARNISHED POWD.(CHROM ZINC PLAT PIN)710	2
4	TL1210XX	ALUMINIUM BAR "LIGHT" FOR SIDE PROTECTION	1
5	TL1210S2	ALUMINIUM HEADER "LIGHT" FOR LATERAL PROTECTION BARS 900	2
6	TL128000	PLASTIC CAP FOR ALUMINIUM SIDE PROTECTING BARS	4
7	TK1380	FIXING KIT WITH NUTS AND BOLTS FOR ALUMINIUM SIDE PROTECTING BARS	4

REV:	0	ESISTENTE	DESCRIZIONE REV. / CAMBIO REV. REV.	DATA:	26/07/2012	APP. / VERIF.:	G. CALIA
Disegnato:	A. Trovato	Controllo:	G. Calia	Nome File:		Modificato:	
Scale:		Foto:		Materiali:	ALL-S235 JR	Tot. Carichi:	180 2788 kg
NTM:		Descrizione:	LATERAL PROTECTION DEVICE	Proprietà:	RESERVATA	Cod. / Articol:	CONF_1C



DIMENSIONS					
q1	q2	q3	h1	h2	h3
500	2700	250	300	94	510

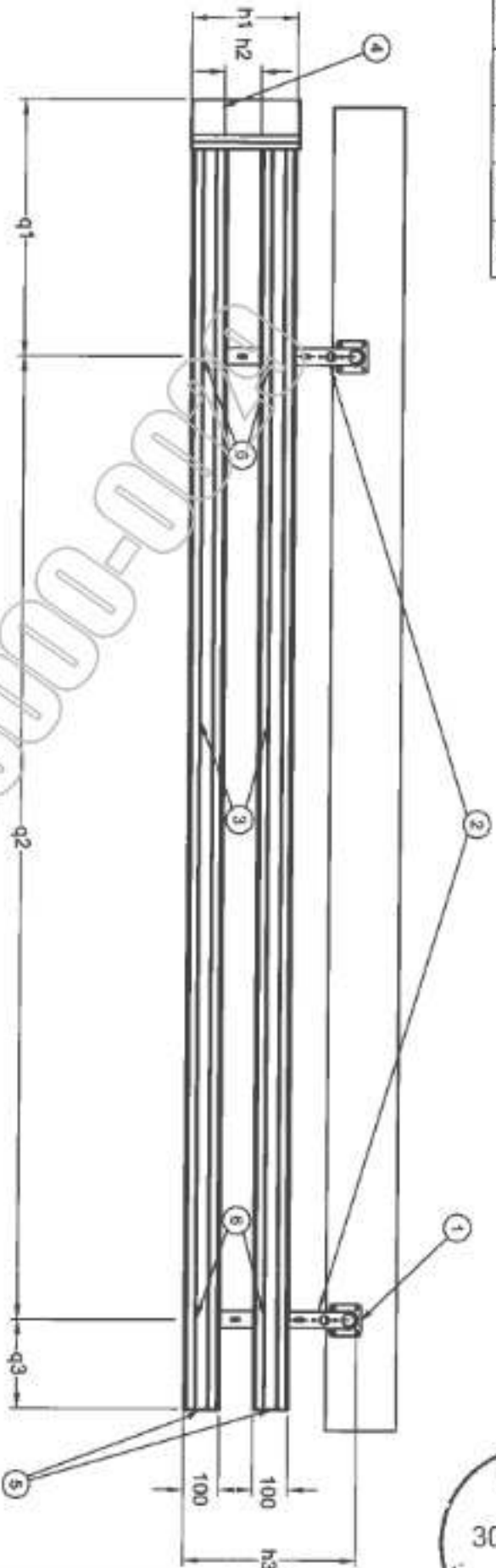


POS	COD.	DESCRIPTION	QTY
1	TK3012	BRACKETS FOR SIDE PROTECTING BARS ZINC PLATED (CHROMZINC PLATED PINS) NEW *572	2
2	TK3022	BRACKETS FOR SIDE PROTECTING BARS, HOT GALVANISED (CHROMZINC PLTD PINS) NEW *572	2
3	TK3042	BRACKETS FOR SIDE PROT. BARS,BLACK VARNISHED POWD (CHROM ZINC PLAT PIN)*572	2
4	TL1210XX	ALUMINIUM BAR "LIGHT" FOR SIDE PROTECTION	2
5	TL1210H3	ALUMINIUM HENGER "LIGHT" FOR LATERAL PROTECTION BARS *300	1
6	TL128600	PLASTIC CAP FOR ALUMINIUM SIDE PROTECTING BARS	2
7	TK1380	FIXING KIT WITH NUTS AND BOLTS FOR ALUMINIUM SIDE PROTECTING BARS	4

REV.	6	REVISIONE REV./REVISION NO.	DATA	28/07/2012	APPUNTI	G. CALA
Disegnato:	A. Prochia	Caratterizzato:	G. Calia			
Scale:	1:1	Nome File:				
Materiali:	ALL-SC55JR	Materiali:	TOB/Generali	QTY:		
Descrizione:	LATERAL PROTECTION DEVICE			Code / Articolo:	CONF_1C_1	



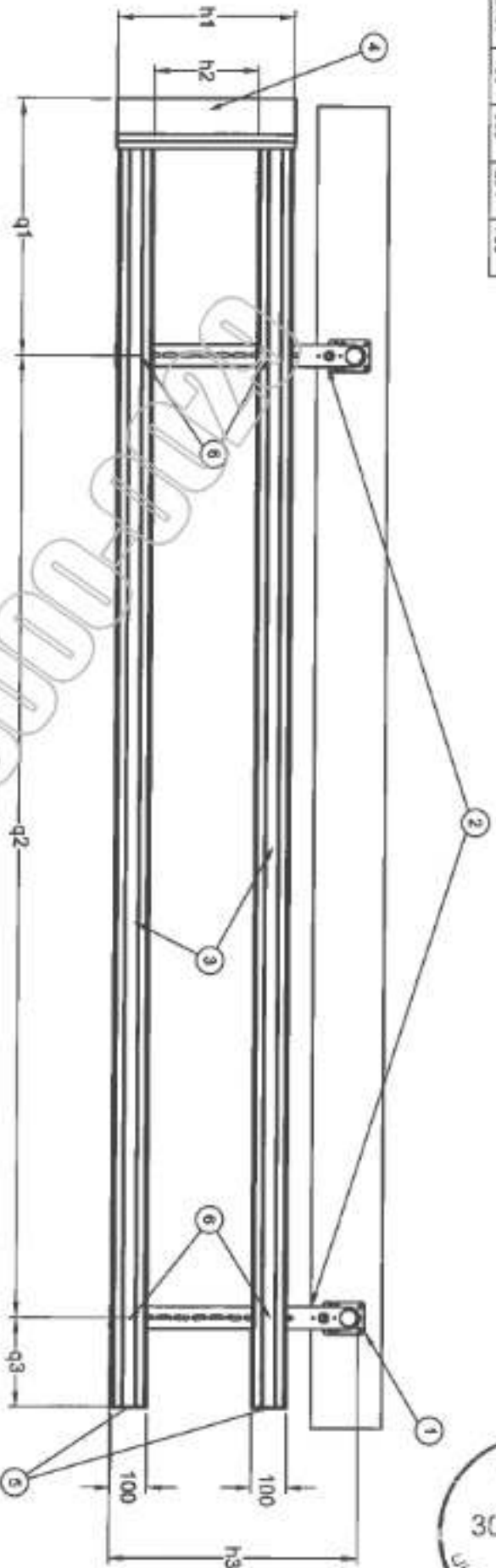
DIMENSIONS						
d1	d2	d3	h1	h2	h3	
800	2700	250	300	94	492	



POS	COD.	DESCRIPTION	Qty
1	TK6610	ZINC PLATED BRACKET FOR TUBE *Ø 42	2
2	TK3062	ZINC PLATED FIXED BRACKETS FOR SIDE PROTECTING BARS *Ø 42 800X500	2
3	TL1210XX	ANODIZED ALUMINIUM BAR FOR SIDE PROTECTION	2
4	TK1320	ALUMINIUM HEADER FOR LATERAL PROTECTION BARS *300	1
5	TK1380	BLACK PLASTIC CAP FOR ALUMINIUM SIDE PROTECTING BAR	2
5	TK1375	GREY PLASTIC CAP FOR ALUMINIUM SIDE PROTECTING BAR	2
8	TK1390	FIXING KIT WITH NUTS AND BOLTS FOR ALUMINIUM SIDE PROTECTING BARS	4

302	EMERSON	075050000 REV. / 15/08/2010/000	REVISION	APPROVED
0				G. CALIA
Designer: A. Prinetri		Contrattista: G. Calia		
Data:		Nome File:		
Scale:		Peso:		
N°Dis.:		Descrizione:		Materiale: ALL-S235JR Toll. Generali: B9 2794-n Data:
LATERAL PROTECTION DEVICE				Cod. Anticipo: CNF_2B
PROPRIETÀ INTELLETTUALE				

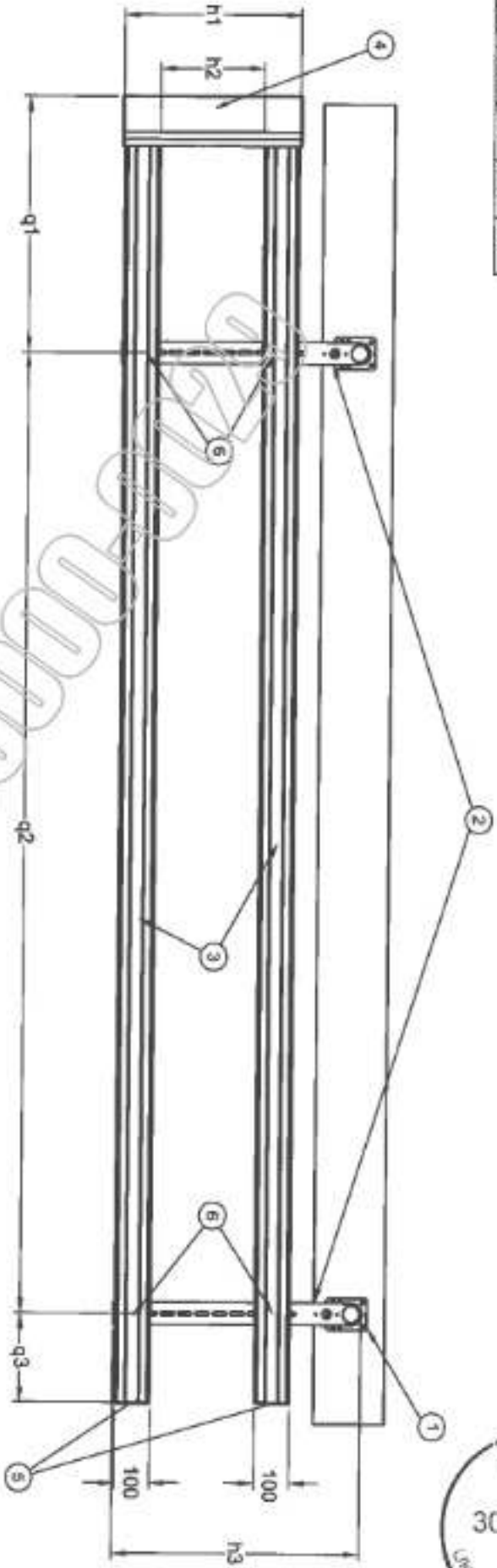
DIMENSIONS						
q1	q2	q3	h1	h2	h3	
600	2700	150	500	294	700	



POS	COO	DESCRIPTION	Qty
1	TK6940	ZINC PLATED REINFORCED SUPPORT FOR TUBE *Ø 54	1
2	TK3050	ZINC PLATED FIXED BRACKETS FOR SIDE PROTECTING BARS *700	2
3	TL1210XX	ANODIZED ALUMINIUM BAR FOR SIDE PROTECTION	2
4	TK1340	ALUMINIUM HEADER FOR LATERAL PROTECTION BARS *500	1
5	TK1380	BLACK PLASTIC CAP FOR ALUMINIUM SIDE PROTECTING BAR	2
5	TK1375	GREY PLASTIC CAP FOR ALUMINIUM SIDE PROTECTING BAR	2
6	TK1380	FIXING KIT WITH NUTS AND BOLTS FOR ALUMINIUM SIDE PROTECTING BARS	4

REV.	0	EMISSIONE	CAPOGRUPPO REV./DISTRIBUZIONE REV.	DATA	26/07/2012	APPUNTI	G. CALIA
Disegnato:	A. Pirovano	Controllo:	G. Calia				
Scale:		Mod. File:					
Scale:		Mod. File:					
Materiali:	ALL-S235JR	Materiali:	ISO 2769-1	Scale:		Scale:	
<b>LATERAL PROTECTION DEVICE</b> PROPRIETÀ RISERVATA				Cod / Autocod:	CONF_3B		

DIMENSIONS				
q1	q2	q3	h1	h2
600	2700	180	500	294
				700



  
 30-Oct-12  
 (UK Approval) Authorized

POS	COD.	DESCRIPTION	Qty
1	TK6840	ZINC PLATED REINFORCED SUPPORT FOR TUBE *Ø 54	1
2	TK3050	ZINC PLATED FIXED BRACKETS FOR SIDE PROTECTING BARS *700	2
3	TL12100X	ALUMINIUM BAR *LIGHT* FOR SIDE PROTECTION	2
4	TL12105Z	ALUMINIUM HEADER *LIGHT* FOR LATERAL PROTECTION BARS *500	1
5	TL129500	PLASTIC CAP FOR ALUMINIUM SIDE PROTECTING BARS	2
6	TK1390	FIXING KIT WITH NUTS AND BOLTS FOR ALUMINIUM SIDE PROTECTING BARS	4

REV.	0	EMISSIVE	REVISIONE 001 / REVISIONE 001	DATA:	20/07/2012	REVISIONE:	G. CALA
Disegnato:	A. Fiorino	Caricatore:	G. Calà				
Scale:		Norma:	EN				
N° Dis.:		Descrizione:	LATERAL PROTECTION DEVICE				
PROPRIETÀ RISERVATA				Cod. / Articolo: CONF_3C			



THE UNITED KINGDOM VEHICLE APPROVAL AUTHORITY

COMMUNICATION CONCERNING THE APPROVAL GRANTED <sup>(1)</sup>/APPROVAL EXTENDED <sup>(1)</sup>/  
APPROVAL REFUSED <sup>(1)</sup>/APPROVAL WITHDRAWN <sup>(1)</sup>/PRODUCTION DEFINITELY  
DISCONTINUED <sup>(1)</sup> OF A LATERAL PROTECTION DEVICE (LPD) PURSUANT TO PART II OF  
REGULATION NO. 73.01



Approval No: 73R-011026


Extension No: Not Applicable

1. Trade name or mark of LPD: Takler srl
2. Type of LPD: Side protection system with aluminium bars and 2 stainless steel sliding brackets.
3. Name and address of manufacturer:  
TAKLER srl  
Via Appia Antica Km 13  
100- Z. I. Jesce  
75100 Matera  
Italy
4. if applicable, name and address of manufacturer's representative:  
Lorenzo Lorusso  
Via Machiavelli, 77  
70022 Altamura (BA)  
Italy
5. Characteristics of the LPD (dimensions and its links): See Manufacturers Documentation
6. Test conducted on a rigid bench/on a vehicle/on a representative part of the vehicle: <sup>(1)</sup>

MSN256464

An executive agency of the Department for Transport  
July 2012 Revision 1



7. Position on the LPD of the points of application of the test forces: See test report MSN256464
8. Vehicle category on which the LPD may be installed: N3, N2, O3, O4
9. Device submitted for approval on: 27 June 2012
10. Technical service responsible for conducting approval tests: Vehicle Certification Agency
11. Date of report issued by that service: 29 October 2012
12. Number of report issued by that service: MSN256464
13. Approval ~~GRANTED/REFUSED/EXTENDED/WITHDRAWN:~~ <sup>(1)</sup>
14. Position of approval mark on the LPD: See Manufacturers Documentation
15. Place: BRISTOL
16. Date: 30 OCTOBER 2012
17. Signature:  A. W. STENNING  
Head of Technical and Quality Support Group
18. The following documents, bearing the approval number shown above, are available upon request.

Any remarks: None

(1) Strike out what does not apply



# Company name

TAKLER srl

## LATERAL PROTECTION DEVICE (SEPARATE TECHNICAL UNIT)

ECE REGULATION 73.01Part 2

### TYPE:

- Side protection system with aluminium bars and 2 stainless steel sliding brackets.



**0. GENERAL**

**0.1. Make (trade name of manufacturer):**

Takler srl

**0.2. Type and general commercial description(s):**

- Side protection system with aluminium bars and 2 stainless steel sliding brackets.

**0.5. Name and address of manufacturer:**

TAKLER srl  
Via Appia Antica Km 13,100- Z. I. Jesce  
75100 Matera

**0.7. In the case of components and separate technical units, location and method of affixing the EC approval mark:**

- Side protection system with aluminium bars and 2 stainless steel sliding brackets:  
the EC approval mark will be placed
  - on one face of the aluminium bar through a mechanical pressing process;
  - on one face of the spring of stainless steel sliding through a hot pressing;

**0.8. Name and address of assembly plant:**

TAKLER srl  
Via Appia Antica Km 13,100- Z. I. Jesce  
75100 Matera

**0.9. Name and address of manufacturer's representative:**

Lorenzo Lorusso  
Via Machiavelli, 77  
70022 Altamura (BA)

## 1. GENERAL CONSTRUCTION CHARACTERISTICS OF THE VEHICLE / DEVICE

### 1.5. Materials used for side members:

- Aluminium;
- Stainless steel.

## 9. BODYWORK

### 9.2 Materials used and methods of construction:

#### Lateral Protection Device:

Type of bodywork : .BA – BB – BD - DA – DB – DC (1)

Lateral protection (ECE REGULATION 73.01Part 2)

Description and/ or drawing of such device( s) (including mountings and fittings) :

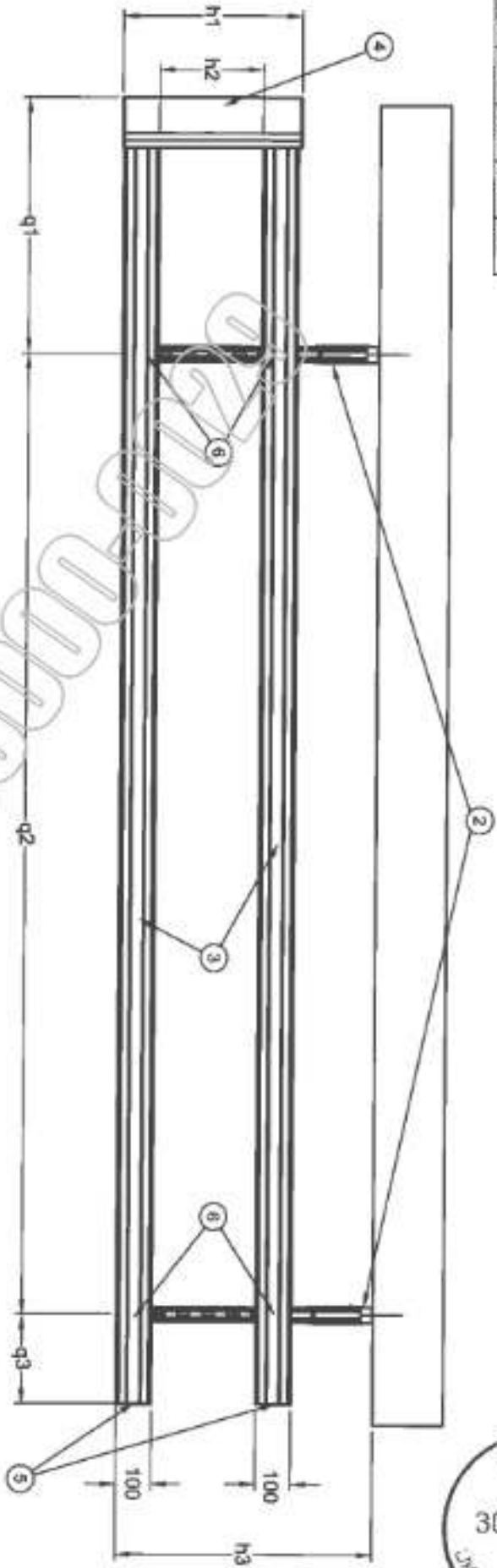
- Side members (horizontal rails):
  - Aluminium bar for side protection
- Linking components:
  - Stainless steel fixing insert with screw for side protecting bar
  - Aluminium head for side protecting bars
  - Cap for headers
- Vehicle fitting mode:
  - Bolts
- Fitting mode to the components ensuring protection:
  - Stainless steel fixing insert with screw for side protecting bars

## LIST OF APPENDICES

1. Side protection system with aluminium bars and 2 stainless steel sliding brackets:
  - Configuration 4B/4B\_1: Side protection system with aluminium bars "lakler" and 2 stainless steel sliding brackets;
  - Configuration 4C/4C\_1: Side protection system with aluminium bars "light" and 2 stainless steel sliding brackets.
  
2. Components
  
3. Point of location mark.

14-73000000-0029

DIMENSIONS					
q1	q2	q3	h1	h2	h3
600	2700	190	500	294	710

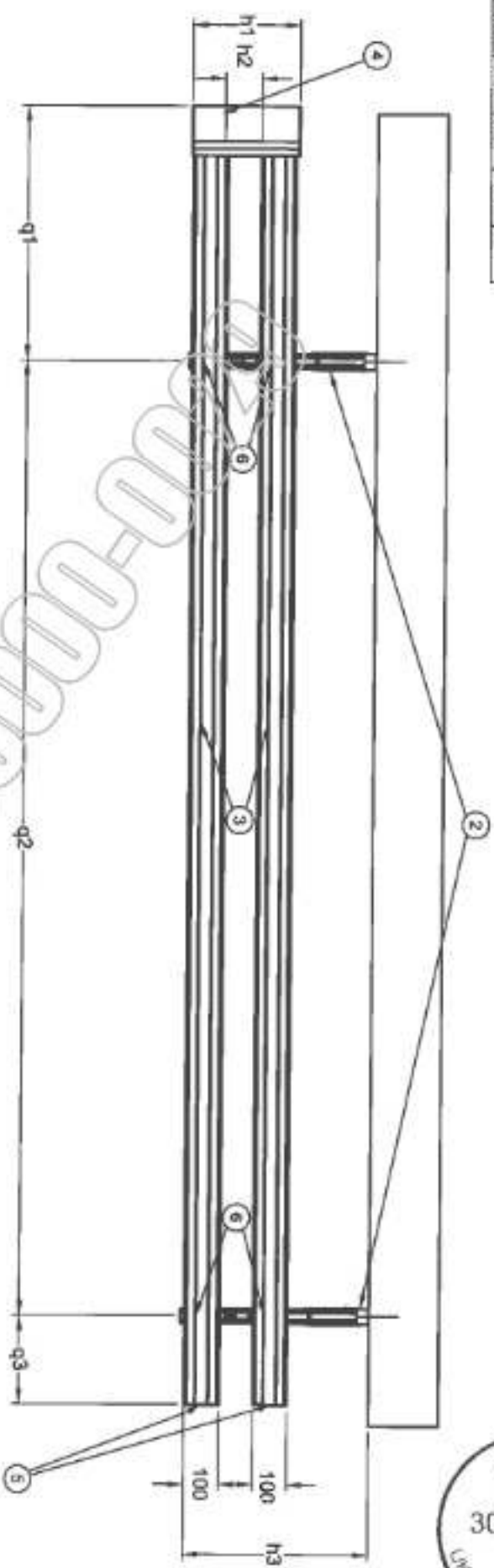


POS	COD.	DESCRIPTION	QTY
1	TK3037	BRACKETS FOR SIDE PROTECTING BARS INOX (INOX PINS) NEW *710	2
2	TK3040	BRACKETS FOR SIDE PROTECTING BARS POLISHED INOX (INOX PINS) NEW *710	2
3	TL1210XX	ANODIZED ALUMINIUM BAR FOR SIDE PROTECTION	2
4	TK1340	ALUMINIUM HEADER FOR LATERAL PROTECTION BARS *500	1
5	TK1380	BLACK PLASTIC CAP FOR ALUMINIUM SIDE PROTECTING BAR	2
6	TK1375	GREY PLASTIC CAP FOR ALUMINIUM SIDE PROTECTING BAR	2
6	TK1390	FIXING KIT WITH NUTS AND BOLTS FOR ALUMINIUM SIDE PROTECTING BARS	4

REV:	0	DESCRIPTION	02/2013/001 REV. / DESCRIZIONE REV.	DATA:	28/07/2012	APP.:	G. CALA
Disegnato:	A. Proietto	Controllo:	G. Calia	Nome File:			
Data:		Scale:		Materiali:	ALL-ALSI 304	Toll. Generali:	180 270/40
N° Dis.:		Descrizione:		Cod. / Anticipo:		QUOTE	
		LATERAL PROTECTION DEVICE		CONFE. 4B			
PROGETTATA RIBERVALTA							



DIMENSIONS					
q1	q2	q3	h1	h2	h3
600	2700	290	300	94	510



POS	COD.	DESCRIPTION	QTY
1	TK3032	BRACKETS FOR SIDE PROTECTING BARS (INOX PINS) NEW *572	2
2	TK3035	BRACKETS FOR SIDE PROTECTING BARS POLISHED INOX (INOX PINS) NEW *572	2
3	TL1210XX	ANODIZED ALUMINIUM BAR FOR SIDE PROTECTION	2
4	TK1340	ALUMINIUM HEADER FOR LATERAL PROTECTION BARS *300	1
5	TK1380	BLACK PLASTIC CAP FOR ALUMINIUM SIDE PROTECTING BAR	2
5	TK1375	GREY PLASTIC CAP FOR ALUMINIUM SIDE PROTECTING BAR	2
6	TK1090	FIXING KIT WITH NUTS AND BOLTS FOR ALUMINIUM SIDE PROTECTING BARS	4

REV.	0	REVISIONE	DESCRIZIONE REV. / DESCRIZIONE REV.	DATA	29/07/2012	ELABORATO	APPROVATO
Disegnato:	A. Provisio	Contrattatore:	G. Celis	Scale:	Free	Materiali:	ALL-ASSI 304
DATA:		Home File:		Titol. Componenti:	80 2786-m	QANTO:	
LATERAL PROTECTION DEVICE				Cod. / Articollo:		CONF_4B_1	
PROPRIETA' INTELLETTUALE							

**Takler**

